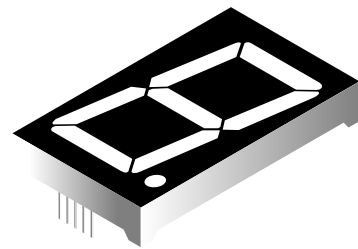
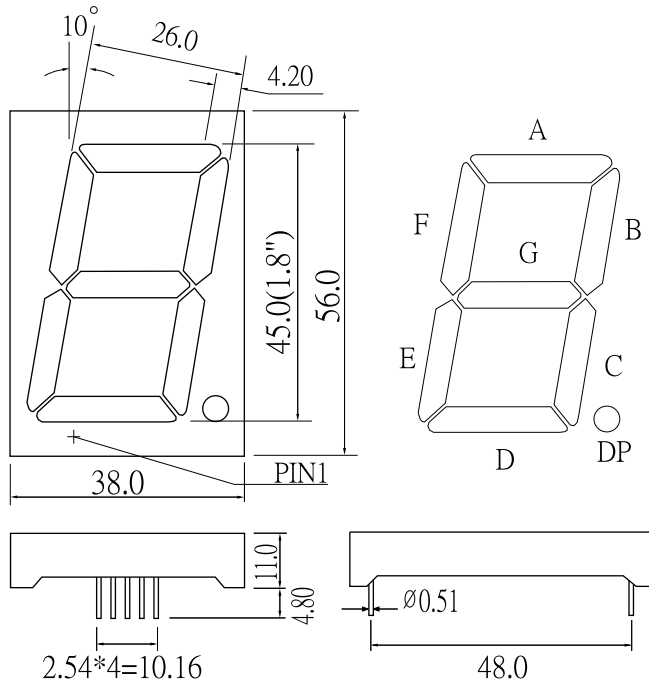


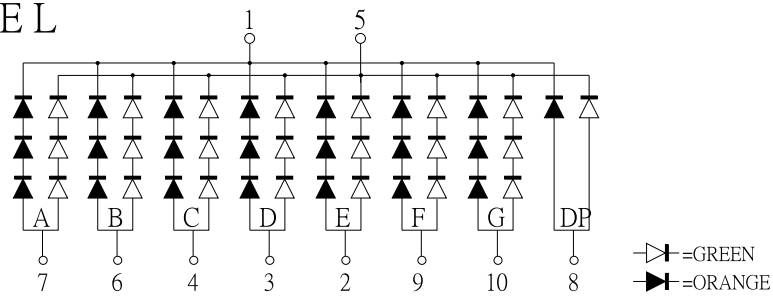
# LightBo

## PACKAGE DIMENSION INTERNAL CIRCUIT DIAGRAM

### LB11801



#### CODE L



#### CODE I

