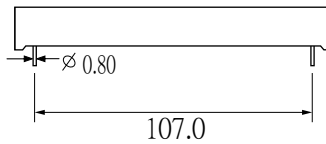
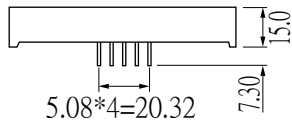
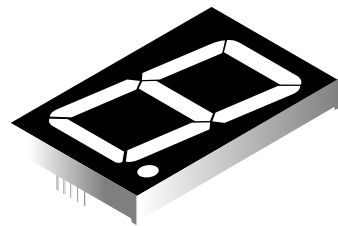
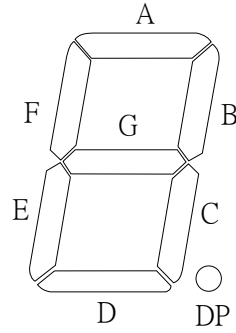
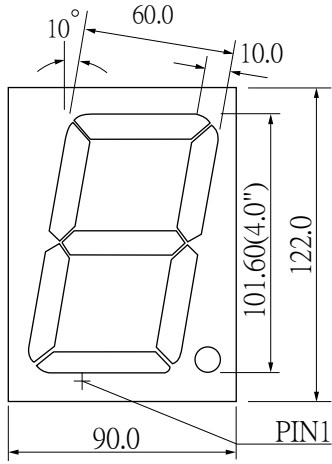


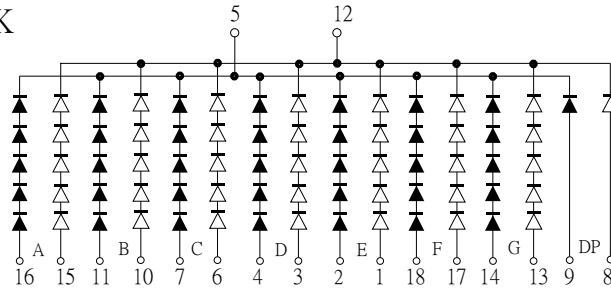
LightBo

PACKAGE DIMENSION INTERNAL CIRCUIT DIAGRAM

LB14001



CODE K



CODE H

